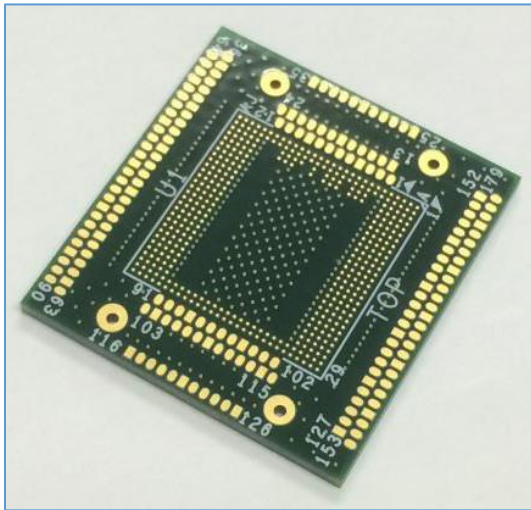


# LPDDR4 Interposers

LPDDR4 366 Ball Direct Attach Interposer



## Key Features

- LPDDR4
- 366 ball
- High fidelity
- Low and high speed operation
- Enables oscilloscope probing
- 4 Channel x16 Memory Component

## Applications

- LPDDR4
  - Memory validation and debug
  - Monitoring bus traffic
  - Bus traffic measurement
  - Analog insight

## Simulation and De-Embedding

Oscilloscope de-embedding software filters/removes interposer effects. Please contact Nexus for the appropriate de-embedding software for your interposer.

## Attachment Service

Nexus Technology's expert attachment service provides a ready-to-go test solution customized to your application. We will attach the interposer and any additional accessories to your application's target. We can also power-on and test your application to confirm functionality. Please contact us for more information.



*Figure 1 Direct Attach interposer installed under a memory component*

## Mechanical Outline

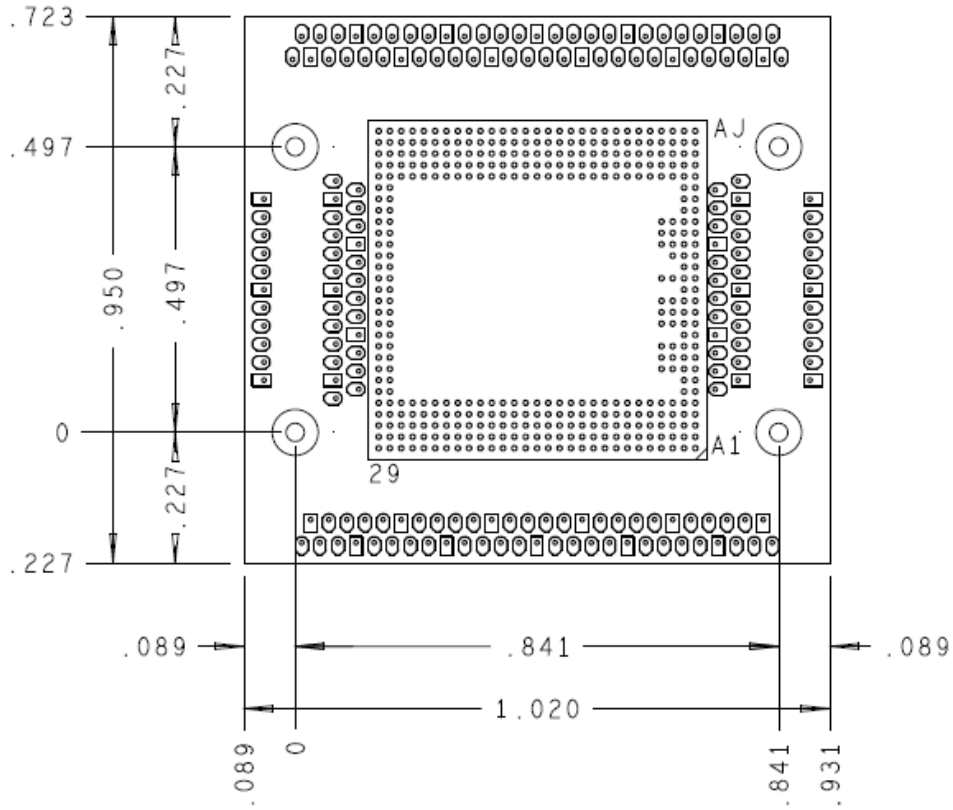


Figure 2 LPDDR4 366 Ball Direct Attach Interposer Mechanical Dimensions

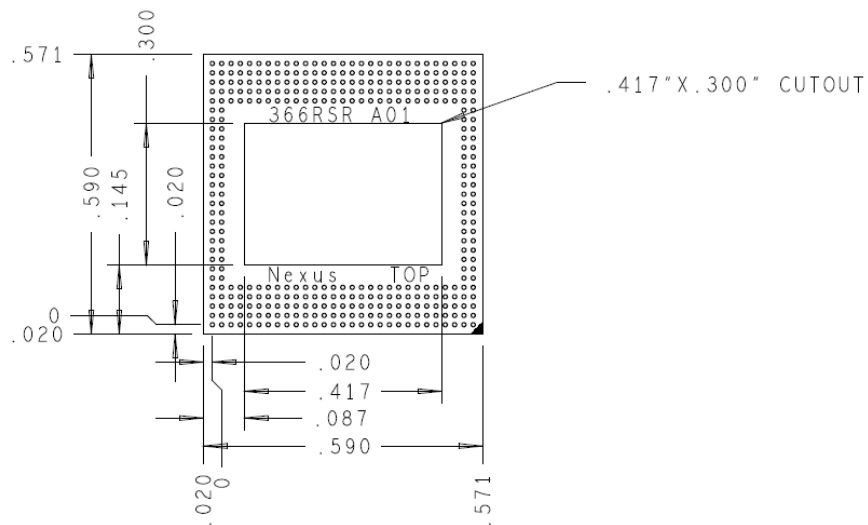


Figure 3 LPDDR4 366 Ball Riser Mechanical Dimensions

## Probe Point Signal List

Test Point	Signal Name	Test Point	Signal Name	Test Point	Signal Name	Test Point	Signal Name
1	DQ7_0	46	DQ13_1	91	DQ14_3	136	CS0_2
2	CA1_0	47	GND	92	CA5_3	137	GND
3	CKE0_0	48	DQS1_t_1	93	CKE0_3	138	DQS0_c_2
4	GND	49	DQS1_c_1	94	GND	139	DQS0_t_2
5	DQ12_0	50	DQS0_c_3	95	DQ7_3	140	DQS1_c_0
6	DQ8_0	51	DQS0_t_3	96	DQ1_3	141	DQS1_t_0
7	RESET_n	52	GND	97	DQ3_2	142	GND
8	DQ12_1	53	CS0_3	98	DQ7_2	143	DQ13_0
9	GND	54	CK_t_3	99	GND	144	CK_c_0
10	CA2_1	55	CK_c_3	100	CA5_2	145	CK_t_0
11	ODTCA_1	56	DQ15_3	101	CA4_2	146	CS0_0
12	DQ7_1	57	GND	102	DMI_1_2	147	GND
13	GND	58	DQ12_3	103	CA4_3	148	DQ6_0
14	CKE1_0	59	DQS1_c_3	104	GND	149	DQ5_0
15	CA2_0	60	DQS1_t_3	105	CA2_3	150	DQS0_t_0
16	CA4_0	61	DQ11_3	106	CKE1_3	151	DQS0_c_0
17	DMI1_0	62	GND	107	ODTCA_3	152	GND
18	GND	63	DQ9_3	108	DMI0_3	153	DQ8_2
19	DQ10_1	64	DQ1_1	109	GND	154	DQ10_2
20	CA5_1	65	DQ2_1	110	DMI0_2	155	DQ15_2
21	CKE1_1	66	DQ3_1	111	CA1_2	156	GND
22	CKE0_1	67	GND	112	CKE0_2	157	CA3_2
23	GND	68	DMI0_1	113	DQ14_2	158	CS1_2
24	CA1_1	69	DQ4_1	114	GND	159	CA0_2
25	GND	70	CA0_1	115	DQ12_2	160	DQ6_2
26	ODTCA_0	71	CS1_1	116	GND	161	GND
27	CA5_0	72	GND	117	CA1_3	162	DQ4_2
28	DQ14_0	73	CA3_1	118	DQ5_3	163	DQ2_2
29	DQ10_0	74	DQ15_1	119	DQ3_3	164	DQ0_2
30	GND	75	DQ11_1	120	DQ1_2	165	DQ9_0
31	DQ8_1	76	DQ9_1	121	GND	166	GND
32	DMI1_1	77	GND	122	DQ5_2	167	DQ11_0
33	DQ14_1	78	DQ0_3	123	ODTCA_2	168	DQ15_0
34	CA4_1	79	DQ2_3	124	CKE1_2	169	CA3_0
35	GND	80	DQ4_3	125	CA2_2	170	CS1_0
36	DQ0_1	81	DQ6_3	126	GND	171	GND
37	GND	82	GND	127	GND	172	CA0_0
38	DQS0_t_1	83	CA0_3	128	DQ9_2	173	DQ4_0
39	DQS0_c_1	84	CS1_3	129	DQ11_2	174	DMI0_0
40	DQ5_1	85	CA3_3	130	DQS1_c_2	175	DQ3_0
41	DQ6_1	86	DQ13_3	131	DQS1_t_2	176	GND
42	GND	87	GND	132	GND	177	DQ2_0
43	CS0_1	88	DMI1_3	133	DQ13_2	178	DQ0_0
44	CK_t_1	89	DQ10_3	134	CK_c_2	179	DQ1_0
45	CK_c_1	90	DQ8_3	135	CK_t_2		



## Product Configuration Table

Nomenclature	Solder Balls on Interposer	Memory Socket on Interposer
NEX-LP4POP366BSC	Yes	No
NEX-LP4POP366BSCSK	Yes	Yes

## Available Accessories

Type	Desc.	Quantity	Nomenclature
Riser	Riser with Solder balls added elevates the interposer .050"	1	NEX-RSRLPDDR4366
Socket	Memory socket	1	NEX-SOCKETLPDDR4366
Solder Balls	Install solder balls on socket	1	NEX-OPT-SOLDERBALLS-SK

## Attachment Service Options

Attachment Service Level	Description
Attachment Service	Contact us for more information

## Contact Information

For more information, please contact us by telephone, email or mail as listed below. Normal business hours are 9:00 - 5:00 EDT/EST.

Web	<a href="http://www.nexustechnology.com">www.nexustechnology.com</a>
Telephone	877.595.8116
International	603.329.3083
Fax	877.595.8118
Address	78 Northeastern Blvd. Unit 2 Nashua, NH 03062
Email	<a href="mailto:support@nexustechnology.com">support@nexustechnology.com</a>