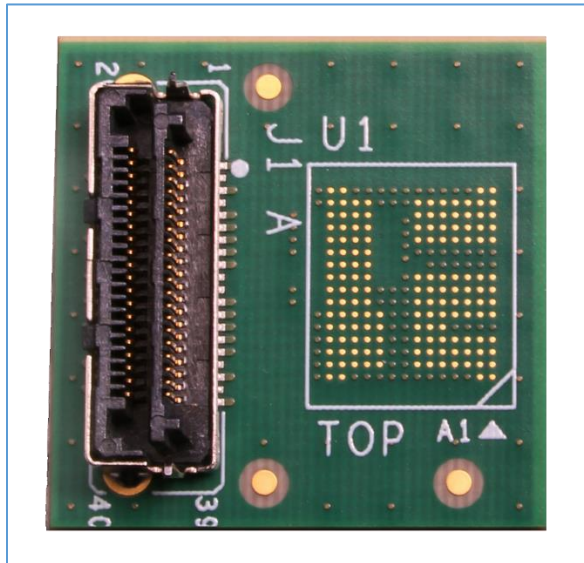


LPDDR4 Interposers

LPDDR4 149 Ball Direct Attach Compliance Interposer



Key Features

- LPDDR4
- 149-Ball
- x16 Memory Component
- High Fidelity
- Enables Probing With Nexus MA5100
- Optimized for JEDEC Compliance

Applications

- LPDDR4
 - Memory validation and debug
 - Monitoring bus traffic
 - Bus traffic measurement
 - JEDEC compliance

MA5100 Real Time JEDEC Protocol Compliance Analysis

- Real time JEDEC compliance analysis of the LPDDR4 bus using the 149 ball interposer(See MA5100 Datasheet for more information)
- MA5100 includes an integrated logic analyzer for use in addition to the real time JEDEC compliance validation
- Programmable MA input enables accurate sample point setting and probe termination to ground or VTT.
- Supports the fastest LPDDR4 speeds specified in JEDEC
- Optimize your design using MA features

Attachment Service

Nexus Technology's expert attachment service provides a ready-to-go test solution customized to your application. We will attach the interposer and any additional accessories to your application's target. We can also power-on and test your application to confirm functionality. Please contact us for more information.



Figure 1 MA 5100 interposer installed under a memory component

Mechanical Outline

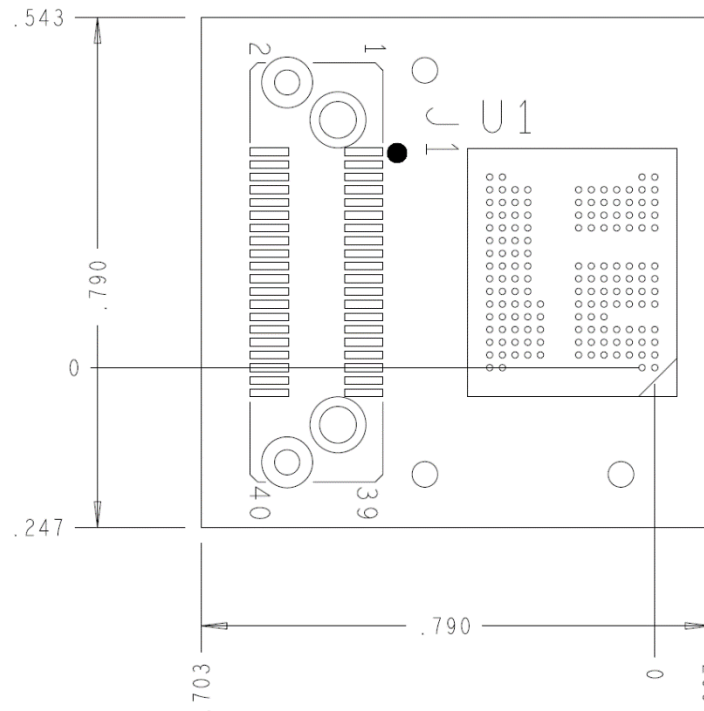


Figure 2 LPDDR4 149 Ball Compliance Interposer Mechanical Dimensions

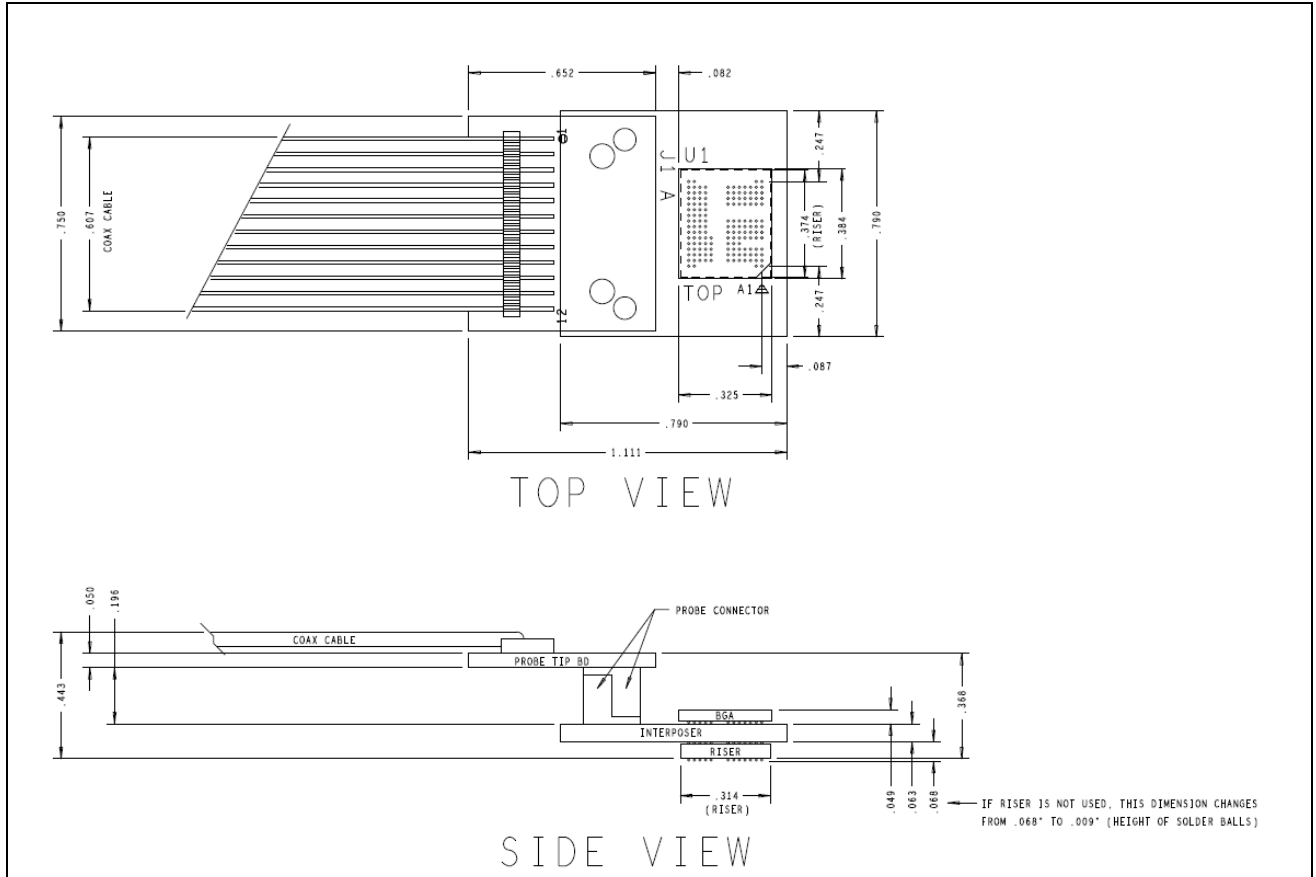


Figure 3 LPDDR4 149 Ball Compliance Interposer Mechanical Dimensions with Probe Connected

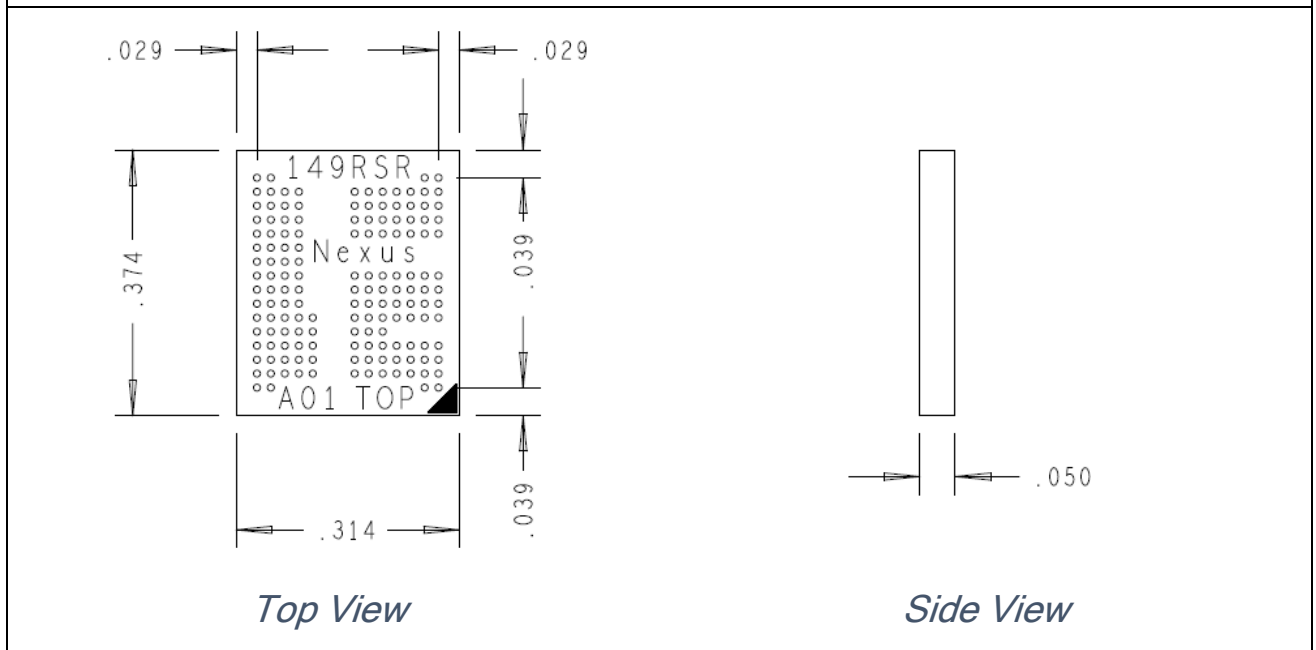


Figure 4 LPDDR4 149 Ball Riser Mechanical Dimensions

Product Configuration Table

Nomenclature	Interposer Type	Riser Included	Component Socket Included
NEX-LP4MCI149CA	Logic/Compliance	Yes ¹	No

¹ Riser elevates interposer 0.050". Riser also includes solderballs.

Available Accessories

Type	Desc.	Quantity	Nomenclature
Riser	Riser with Solder balls added elevates interposer 0.50"	1	NEX-RSRLPDDR4149 ²

² P/N NEX-RSRLPDDR5315 includes solderballs.

Attachment Service Options

Attachment Service Level	Description
Attachment Service	Contact us for more information

Contact Information

For more information, please contact us by telephone, email or mail as listed below. Normal business hours are 9:00 - 5:00 EDT/EST.

Web	www.nexustechnology.com
Telephone	877.595.8116
International	603.329.3083
Fax	877.595.8118
Address	78 Northeastern Blvd. Unit 2 Nashua, NH 03062
Email	support@nexustechnology.com