

LPDDR2 Interposers

LPDDR2 216 Ball PoP Direct Attach Interposer



Key Features

- LPDDR2
- Package on Package(PoP)
- 216 ball
 - 12mm x 12mm
 - .4mm Pitch
- Enables oscilloscope probing
- 2 Channel x32 Memory Component
- Available with or without a socket.

Applications

- LPDDR2
 - Memory validation and debug
 - Monitoring bus traffic
 - Bus traffic measurement
 - Analog insight
- LPDDR2 rates above LPDDR2-1067

Simulation and De-Embedding

Oscilloscope de-embedding software filters/removes interposer effects. Please contact Nexus for the appropriate de-embedding software for your interposer.

Attachment Service

Nexus Technology's expert attachment service provides a ready-to-go test solution customized to your application. We will attach the interposer and any additional accessories to your application's target. We can also power-on and test your application to confirm functionality. Please contact us for more information.



Figure 1 Direct Attach interposer installed under a memory component

Mechanical Outline

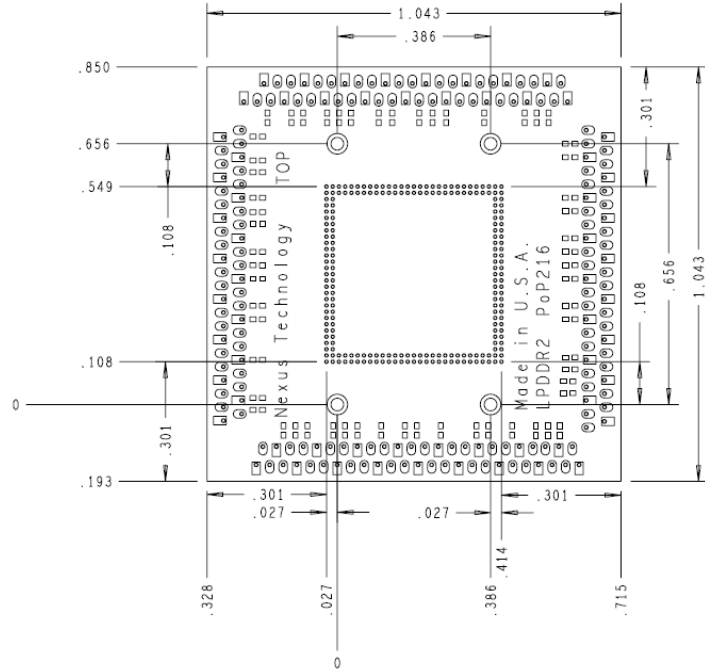


Figure 2 LPDDR2 216 Ball PoP Direct Attach Interposer Mechanical Dimensions

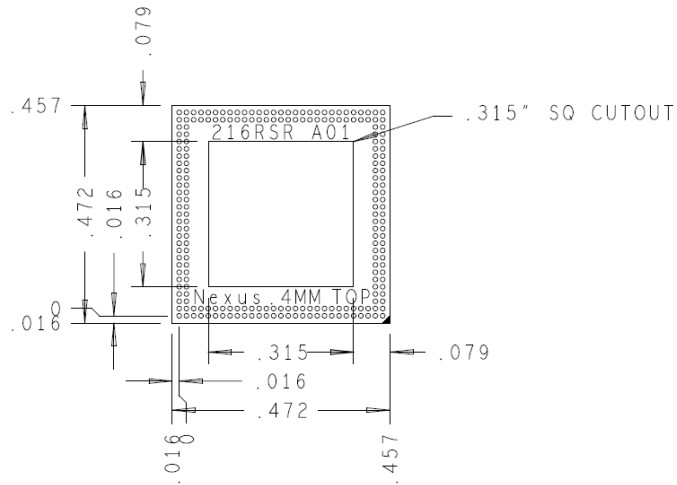
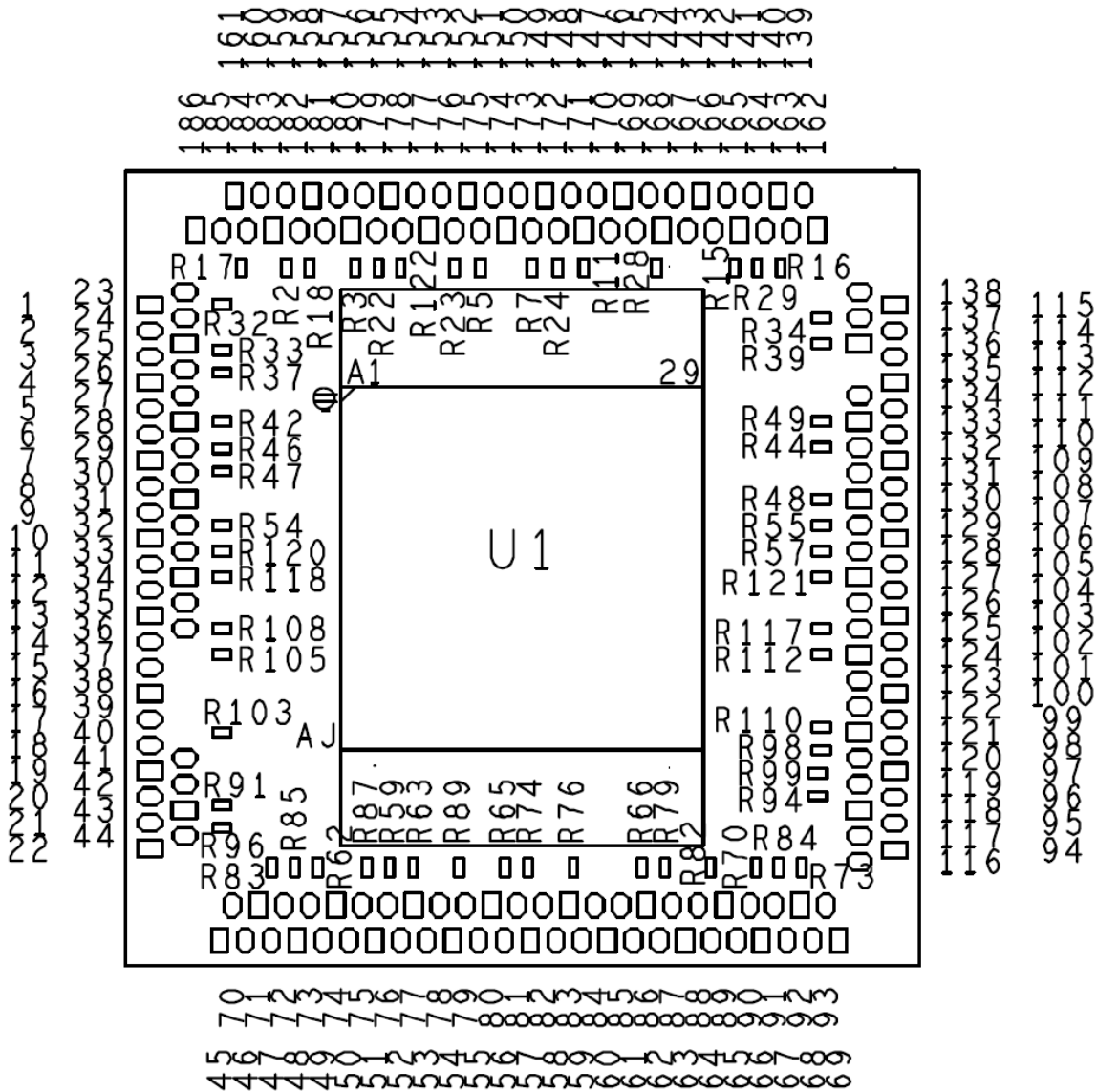


Figure 3 LPDDR2 216 Ball Riser Mechanical Dimensions

Probe Point Signal List

Test Point	Signal	Test Point	Signal	Test Point	Signal	Test Point	Signal
1	GND	48	GND	95	BZQ	140	GND
2	BDQ19	49	BDQ24	96	BCA7	141	ADQ5
3	BDQ18	50	BDM3	97	GND	142	ADQ7
4	GND	51	GND	98	BCKE0/	143	GND
5	BDQ23	52	BDQ28	99	BCKE1/	144	ADQ6
6	BDQ22	53	BDQ29	100	GND	145	ADM0
7	GND	54	GND	101	BCS0/	146	GND
8	BDM2	55	BDQ30	102	BCS1/	147	ADM1
9	BDQ0	56	BDQ31	103	GND	148	ADQ9
10	GND	57	GND	104	BCA2	149	GND
11	BDQ3	58	ACA7	105	BCA1	150	ADQ11
12	BDQ4	59	ACA6	106	GND	151	ADQ12
13	GND	60	GND	107	ADQ16	152	GND
14	BDQ7	61	ACA5	108	ADQ18	153	ADQ15
15	BDQ8	62	ACA8	109	GND	154	ADM3
16	GND	63	GND	110	ADQ23	155	GND
17	BDM0	64	ACA3	111	ADQ20	156	ADQ26
18	BDM1	65	ACA2	112	GND	157	ADQ25
19	GND	66	GND	113	ADQ22	158	GND
20	BDQ9	67	ACA1	114	ADM2	159	ADQ30
21	BDQ10	68	ACA4	115	GND	160	ADQ29
22	GND	69	GND	116	BCA8	161	GND
23	BDQ17	70	BDQ13	117	BCA8	162	GND
24	BDQ16	71	GND	118	GND	163	ADQ3
25	GND	72	BDQ15	119	BCA6	164	ADQ4
26	BDQ21	73	BDQ25	120	BCA5	165	GND
27	BDQ20	74	GND	121	GND	166	ADQS0/
28	GND	75	BDQS3	122	BCK	167	ADQS0
29	BDQS2	76	BDQS3/	123	BCK/	168	GND
30	BDQS2/	77	GND	124	GND	169	ADQS1
31	GND	78	BDQ26	125	BCA3	170	ADQS1/
32	BDQ1	79	BDQ27	126	BCA4	171	GND
33	BDQ2	80	GND	127	GND	172	ADQ8
34	GND	81	AZQ	128	BCA0	173	ADQ10
35	BDQ6	82	ACA9	129	ADQ17	174	GND
36	BDQ5	83	GND	130	GND	175	ADQ13
37	GND	84	ACK/	131	ADQ21	176	ADQ14
38	BDQS0/	85	ACK	132	ADQ19	177	GND
39	BDQS0	86	GND	133	GND	178	ADQS3/
40	GND	87	ACKE0	134	ADQS2/	179	ADQS3
41	BDQS1/	88	ACS0/	135	ADQS2	180	GND
42	BDQS1	89	GND	136	GND	181	ADQ24
43	GND	90	ACKE1	137	ADQ0	182	ADQ27
44	BDQ11	91	ACS1/	138	ADQ1	183	GND
45	GND	92	GND	139	ADQ2	184	ADQ28
46	BDQ12	93	ACA0			185	ADQ31
47	BDQ14	94	GND			186	GND

Probe Point Locations



Product Configuration Table

Part Number	Socket On Interposer
NEX-LPDDR2POP216SC	No
NEX-LPDDR2POP216SCSK	Yes

Available Accessories

Type	Desc.	Quantity	Part Number
Riser	LPDDR2 216-Ball Riser elevates interposer 0.050"	1	NEX-RSRLPDDR2216 ²
Socket	Memory socket	1	NEX-SOCKETLPDDR2216

² P/N NEX-RSRLPDDR2216 includes solderballs.

Attachment Service Options

Attachment Service Level	Description
Attachment Service	Contact us for more information

Contact Information

For more information, please contact us by telephone, email or mail as listed below. Normal business hours are 9:00 - 5:00 EDT/EST.

Web	www.nexustechnology.com
Telephone	877.595.8116
International	603.329.3083
Fax	877.595.8118
Address	78 Northeastern Blvd. Unit 2 Nashua, NH 03062
Email	support@nexustechnology.com