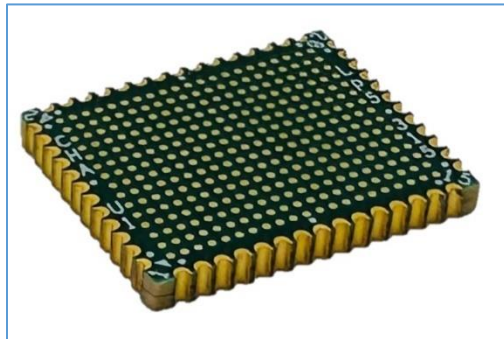


LPDDR5 Interposers

LPDDR5 315 Ball EdgeProbe



Key Features

- LPDDR5 - 8533+
- Enables Oscilloscope Probing
- XH Series Universal Probe Interposer
- 315-Ball
- EdgeProbe™ Interposer
- Small Mechanical Footprint
- High Fidelity
- S-Parameters for de-embedding & simulation
- Patented Interposer/Probe Design

Applications

- LPDDR5
 - Memory validation and debug
 - Monitoring bus traffic
 - Bus traffic measurement
 - Analog insight

EdgeProbe™ Interposer Technology



Nexus Technology's patented EdgeProbe™ technology enables our interposers to be virtually the same size as the memory component. This is important

because standard direct-attach interposers are significantly larger than the memory component which can potentially cause mechanical clearance problems. In other words, standard direct-attach interposers do not fit in all applications. EdgeProbe™ interposers fit in all applications. A riser is available for unique conditions where you want to elevate the interposer up from your design. The riser is added between the bottom of the interposer and your design and is the size of the memory component. The mechanical dimensions are shown in Figure 3.

EdgeProbe™ interposers provide advanced analysis capabilities by integrating the oscilloscope probe tip into the interposer. In doing so, the probe point moves extremely close to the component pad which is the optimal and least intrusive location.

Simulation and De-Embedding

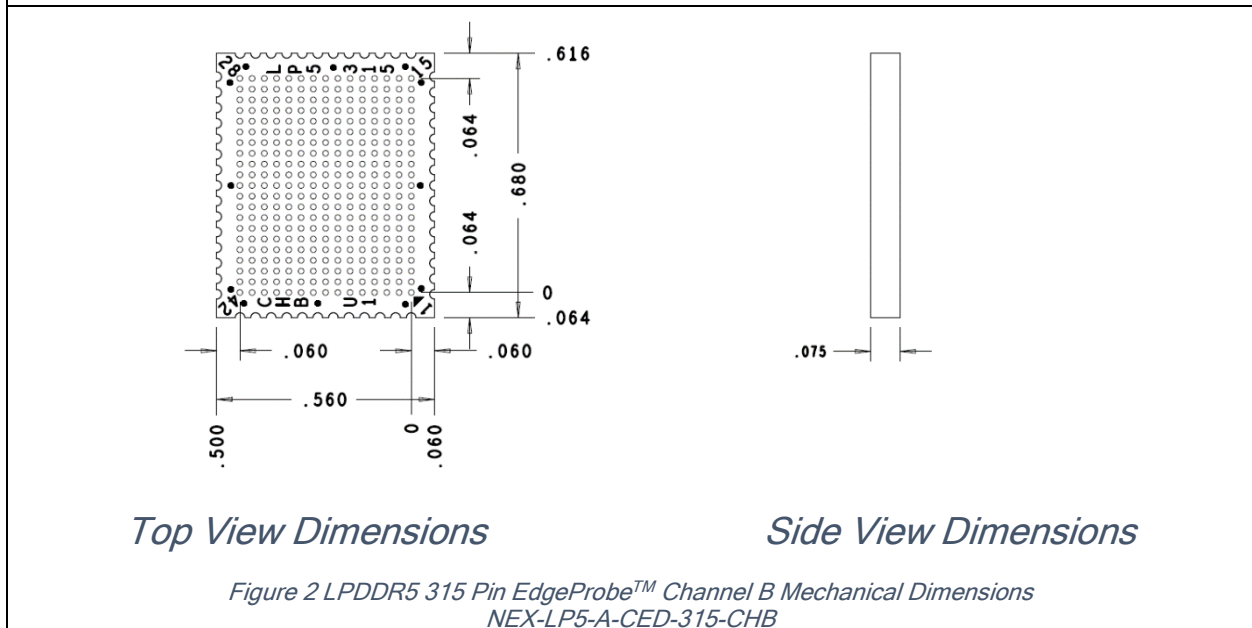
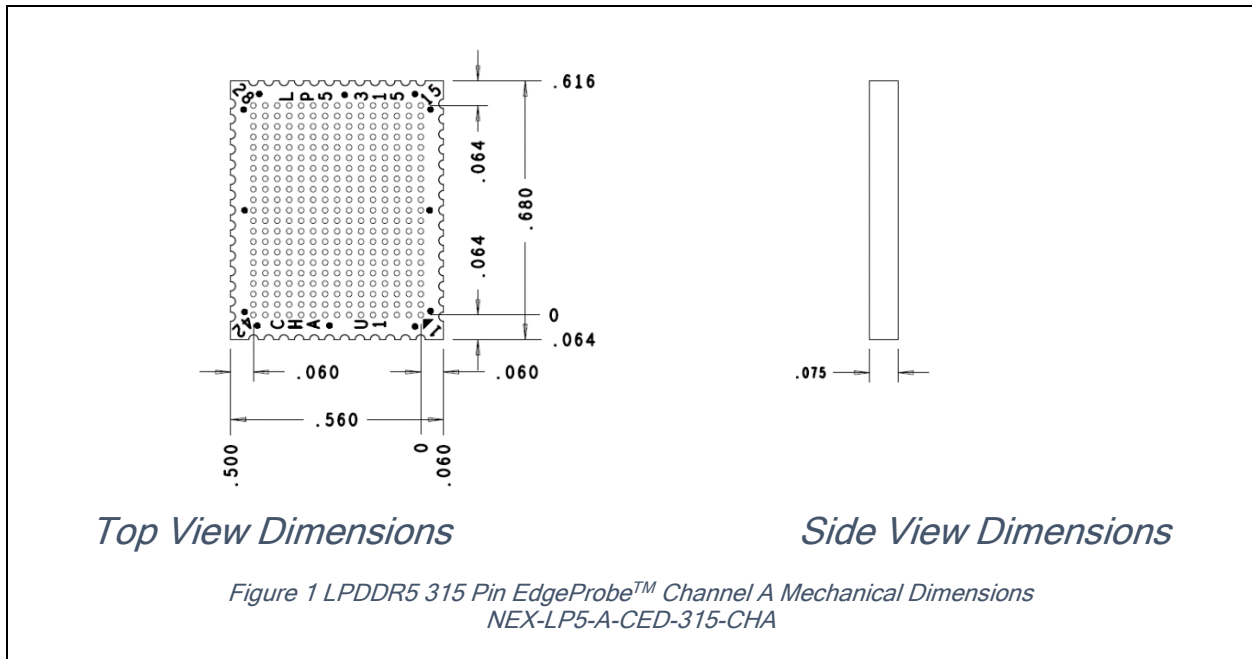
S-Parameters are included for target simulation and the creation of de-embedding filters for use with an oscilloscope.

Attachment Service

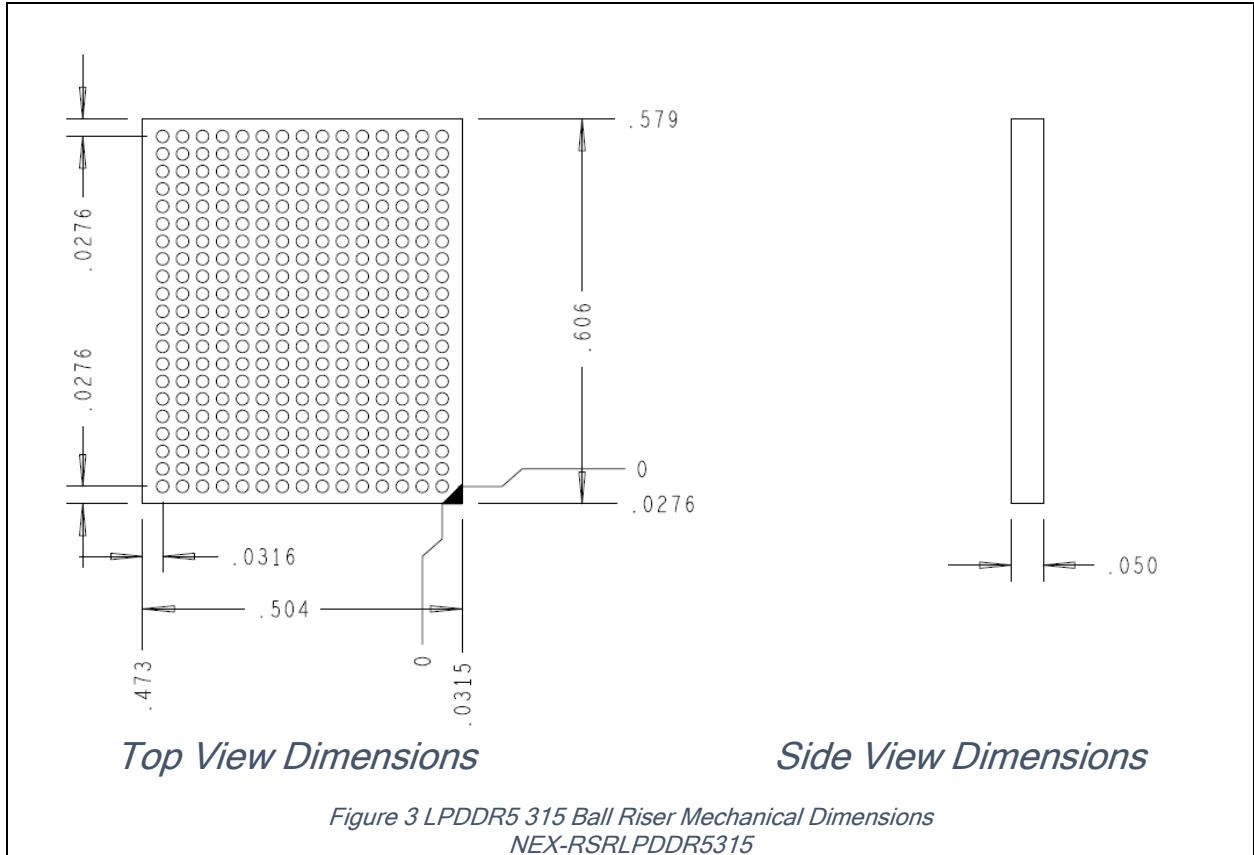
Nexus Technology's expert attachment service provides a ready-to-go test solution customized to your application. We will attach the interposer and any additional accessories to your application's target. We can also power-on and test your application to confirm functionality. Please contact us for more information.



Mechanical Outline



Note: All measurements listed are in inches.



Note: All measurements listed are in inches.

Probe Point Signal List

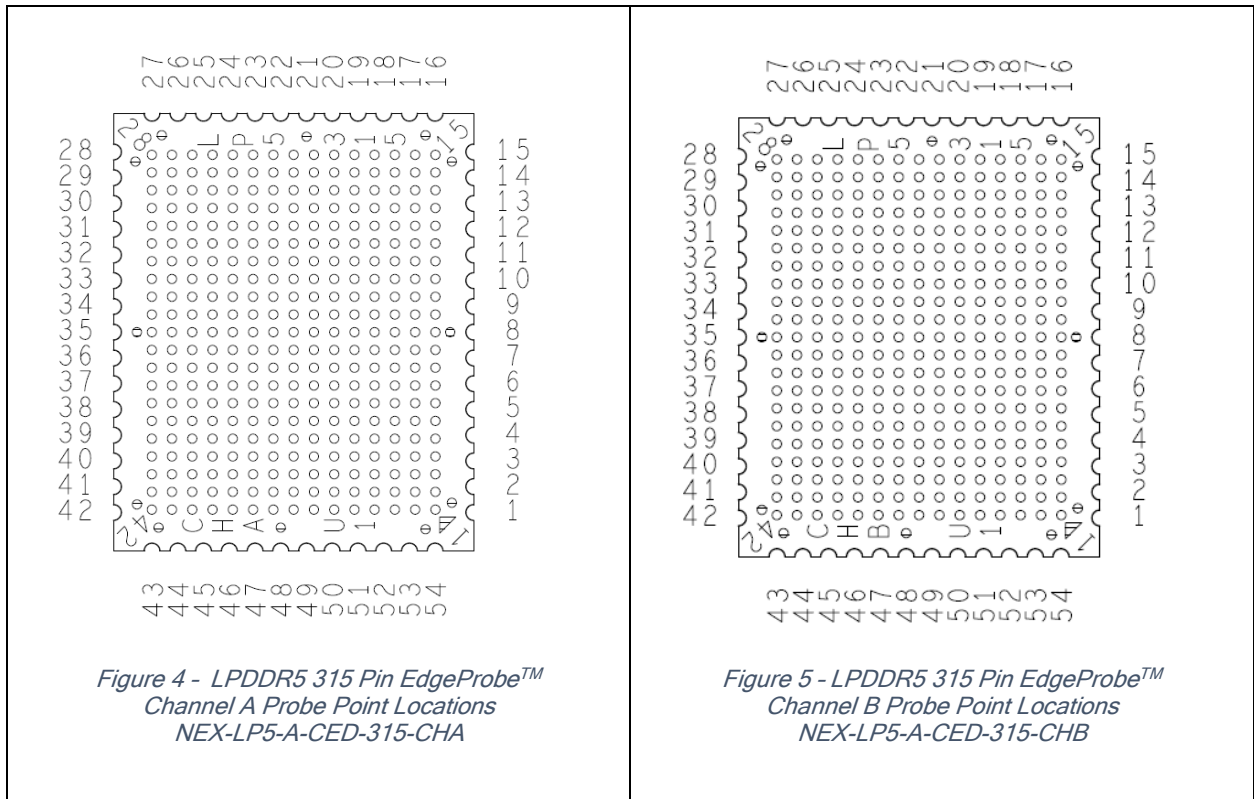
NEX-LP5-A-CED-315-CHA LPDDR5 315 Ball EdgeProbe™ Channel A

PROBE	SIGNAL	PROBE	SIGNAL	PROBE	SIGNAL	PROBE	SIGNAL
1	GND	15	GND	29	CA5_A	43	GND
2	DQ1_A	16	GND	30	DQ14_A	44	RDQS1_T_A
3	DMI0_A	17	CA1_A	31	WCK1_C_A	45	RDQS1_C_A
4	DQ4_A	18	CS1_A	32	WCK1_T_A	46	DQ15_A
5	RESET_N	19	CS0_A	33	DQ11_A	47	DQ13_A
6	RFU/CS2_B	20	CA2_A	34	DQ10_A	48	GND
7	DQ0_A	21	GND	35	GND	49	RFU/CS3_A
8	GND	22	CK_C_A	36	DQ8_A	50	DQ5_A
9	DQ2_A	23	CK_T_A	37	RFU/CS3_B	51	DQ7_A
10	DQ3_A	24	CA4_A	38	RFU/CS2_A	52	RDQS0_C_A
11	WCK0_T_A	25	CA3_A	39	DQ12_A	53	RDQS0_T_A
12	WCK0_C_A	26	CA6_A	40	DMI1_A	54	GND
13	DQ6_A	27	GND	41	DQ9_A		
14	CA0_A	28	GND	42	GND		

NEX-LP5-A-CED-315-CHB LPDDR5 315 Ball EdgeProbe™ Channel B

PROBE	SIGNAL	PROBE	SIGNAL	PROBE	SIGNAL	PROBE	SIGNAL
1	GND	15	GND	29	DQ1_B	43	GND
2	CA6_B	16	GND	30	RDQS0_T_B	44	CS1_B
3	CA5_B	17	WCK1_T_B	31	RDQS0_C_B	45	CS0_B
4	DQ14_B	18	WCK1_C_B	32	DQ5_B	46	CA2_B
5	DQ11_B	19	DQ12_B	33	DMI0_B	47	CK_T_B
6	RFU/CS2_B	20	DQ15_B	34	DQ0_B	48	CK_C_B
7	DQ10_B	21	GND	35	GND	49	GND
8	GND	22	RESET_N	36	DQ2_B	50	CA4_B
9	DQ8_B	23	DQ7_B	37	RFU/CS3_B	51	RFU/CS2_A
10	DMI1_B	24	DQ4_B	38	DQ3_B	52	CA3_B
11	DQ13_B	25	WCK0_C_B	39	DQ6_B	53	RFU/CS3_A
12	RDQS1_C_B	26	WCK0_T_B	40	CA0_B	54	GND
13	RDQS1_T_B	27	GND	41	CA1_B		
14	DQ9_B	28	GND	42	GND		

Probe Point Locations



Product Configuration Table

Nomenclature	Riser Included	Channel Probed
NEX-LP5-A-CED-315-CHA	No	Channel A
NEX-LP5-A-CED-315-CHB	No	Channel B

Available Accessories

Type	Desc.	Quantity	Nomenclature
Riser	LPDDR5 315-Ball Riser elevates interposer 0.050"	1	NEX-RSRLPDDR5315 ¹

¹ P/N NEX-RSRLPDDR5315 includes solderballs.

Attachment Service Options

Attachment Service Level	Description
Attachment Service	Contact us for more information

Contact Information

For more information, please contact us by telephone, email or mail as listed below. Normal business hours are 9:00 - 5:00 EDT/EST.

Web	www.nexustechnology.com
Telephone	877.595.8116
International	603.329.3083
Fax	877.595.8118
Address	78 Northeastern Blvd. Unit 2 Nashua, NH 03062
Email	support@nexustechnology.com